

SUBMITTAL/TECHNICAL DATA SHEET



DESCRIPTION

Architectural Access Door is designed with the architect in mind. Constructed with an industry-standard 16 gauge steel door, the updated design provides superior strength and design aesthetics.

FEATURES

- Anti-flex frame
- Removable and repositionable door
- Painless installation
- Optional stainless steel

SPECIFICATIONS

MODEL: BNT/BNW/BNP

DOOR:

- BNT/BNW: 16 gauge Steel (removable) or 16 gauge Type 304 Stainless Steel
- BNP: 14 gauge Steel or 16 gauge Type 304 Stainless Steel

FRAME: 16 gauge Steel or 16 gauge Type 304 Stainless Steel

SIZE:

Minimum: 6 inches by 6 inches
Maximum: 24 inches by 72 inches or 48 inches by 48 inches

INSTALLATION: Wall or Ceiling

FLANGE: 1 inch exposed, Drywall Bead or Plaster Bead

HINGE: Concealed spring button

PAN DEPTH: 1/2 inch

LATCH: Screwdriver Cam Latch, Key Operated Cam Latch, or Mortise Lock (1-1/8 inch) Prep

FINISH: White Powder Coat (steel) or #4 Satin (stainless steel)

WARRANTY: 1 year



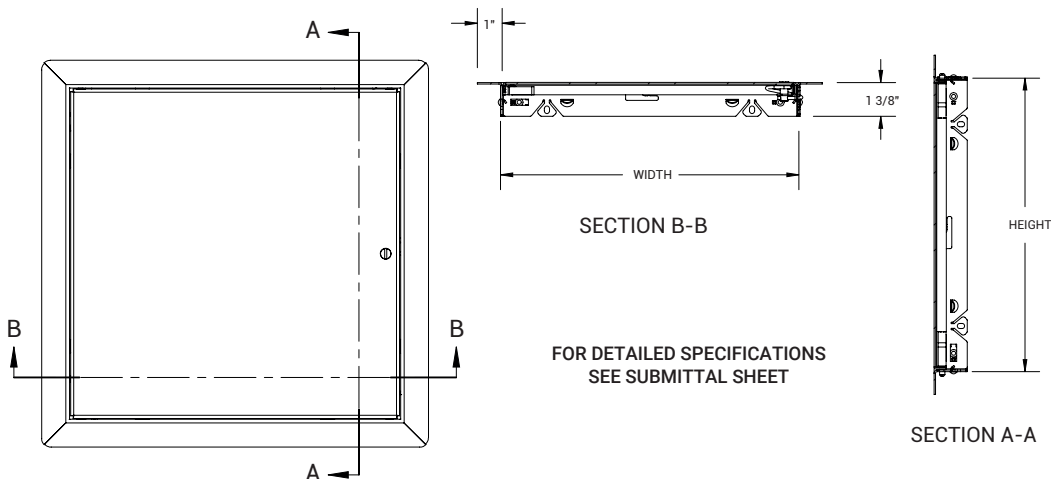
DIMENSIONS AND APPEARANCE

>> CLICK TO VIEW ADDITIONAL DETAILS AND PRICING <<

ORDER GUIDE:

BASE	FLANGE	LATCH	WIDTH	X	LENGTH	OPTIONS
BN						
	T 1 inch Flange	C Screwdriver Cam Latch	STANDARD SIZES (W X L)			B Galvannealed
	W Drywall Bead	L Key operated Cam Lock	6" X 6"	16" X 20"	24" X 36"	D14 14 gauge Steel Door
	P Plaster Bead	M Mortise Lock (1-1/8") Prep	8" X 8"	18" X 18"	24" X 48"	G Gasketing
		N Knurled Knob	10" X 10"	18" X 24"	30" X 30"	M Masonry Anchors
			12" X 12"	20" X 30"	30" X 36"	S Type 304 Stainless Steel
			12" X 18"	22" X 22"	32" X 32"	
			12" X 24"	22" X 30"	36" X 36"	
			14" X 14"	24" X 24"		
			16" X 16"	24" X 30"		

Rough opening is door size + 1/4 inch minimum. Additional sizes available, call for more information.



For a complete list of options visit www.AccessDoorsAndPanels.com

PROJECT DATA

Custom Sizes Available - Fast!

PROJECT NAME :	QTY	W	H	OPTIONS
ARCHITECT :				
DEALER :				
CONTRACTOR :				
LOCATION :	SPECIAL INSTRUCTIONS :			
DATE :	SUBMITTAL APPROVAL : (signature or stamp)			
TAGGING INSTRUCTIONS :				

Scan or Click



To view Pricing and Additional Product Info.

TELEPHONE:
1-888-457-1275
FAX:
1-888-626-2907



PO BOX 66738 #76520,
SAINT LOUIS, MO
63166-6738
USA

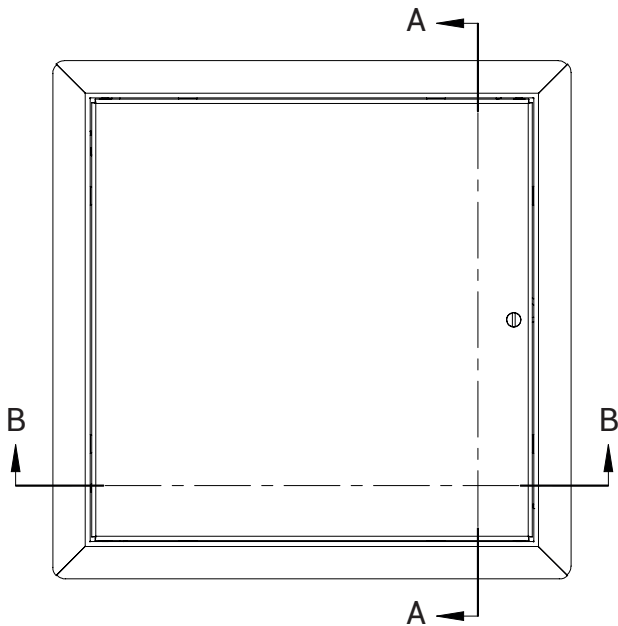


WEBSITE:
www.AccessDoorsAndPanels.com
E-MAIL:
info@AccessDoorsAndPanels.com



B NTC

ARCHITECTURAL ACCESS DOOR



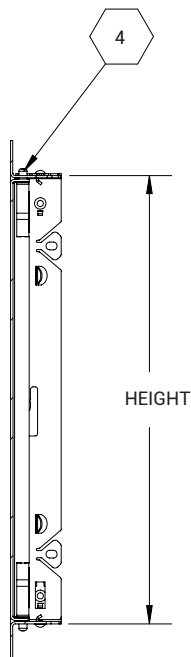
NOTES:

- ① FRAME: 16 GA Steel, 1" Flange
- ② DOOR: 16 GA Steel
- ③ FINISH: White Pwd
- ④ HINGE:
- ⑤ LATCH:
- ⑥ LOCK: No Lock

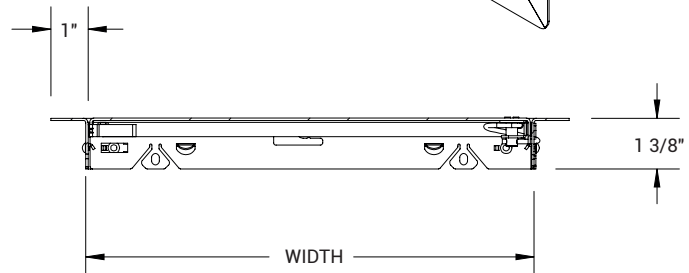
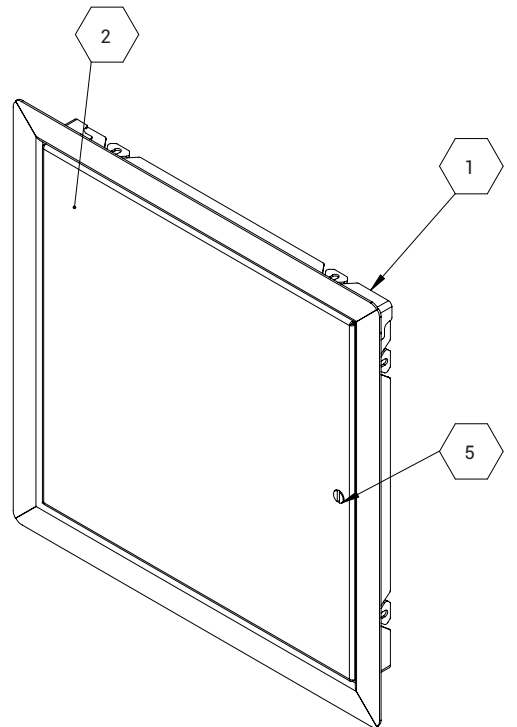
OPTIONS:

- Drip Cap (C)
- Gasket Installed (G)

ROUGH OPENING: W + 0.25" X H + 0.25"
 CLEAR OPENING: W - 1.125" X H - 0.125"
 DEGREE OF OPENING: 134°
 CAM QTY: N/A LATCH SIDE
 N/A TOP/BOTTOM SIDE



SECTION A-A



SECTION B-B



B NTC

ARCHITECTURAL ACCESS DOOR

